

The CVC Series is made for sewage and solids-handling applications that put pumps to the test. With rugged construction, continuous-duty performance, and a high-efficiency vortex impeller, it delivers the durability and dependability needed in tough environments.

OVERVIEW

- Continuous duty rated
- Vortex impeller for superior solids handling
- Air-filled class E insulated heavy-duty motor, operates cooler with higher efficiencies
- Built-in motor thermal protection to protect against overheating, out of phase, and single phasing (this appears on the CNL series as well)
- Large solids handling capabilities to prevent troublesome clogging
- Double silicon carbide mechanical seals, operating in an oil bath to provide a longer service life and lower maintenance



**SCAN FOR
MORE INFO**

8510 S. Sandy Parkway, Sandy, UT 84070
877.213.3598
shinmaywasales.com

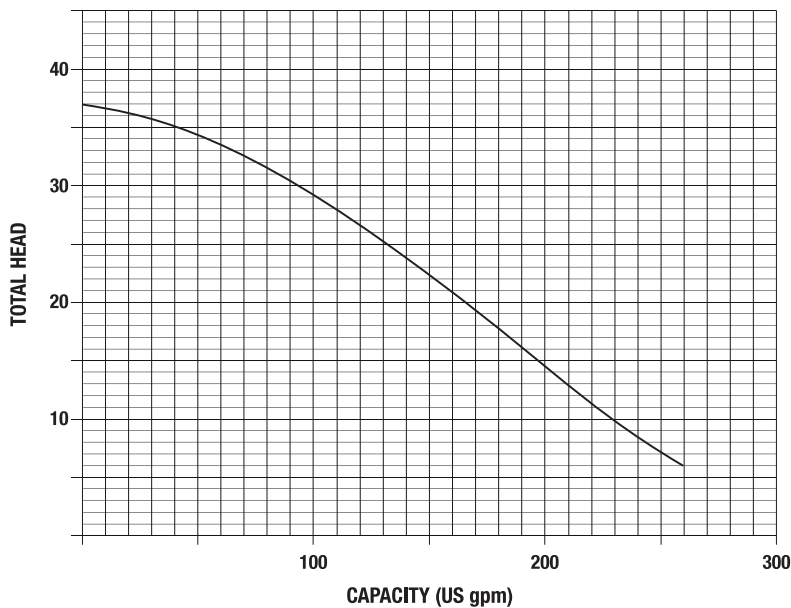
SPECIFICATIONS

- 3" NPT discharge
- Vortex impeller
- Impeller material: cast iron (ASTM A48 class 30)
- Pump housing material: cast iron (ASTM A48 class 30)
- Fasteners: 304 stainless steel
- Dual shaft seals: silicon carbide lower, carbon ceramic upper, operates in an oil bath to provide a longer seal life
- 32' cable length
- 2 year warranty

MOTOR

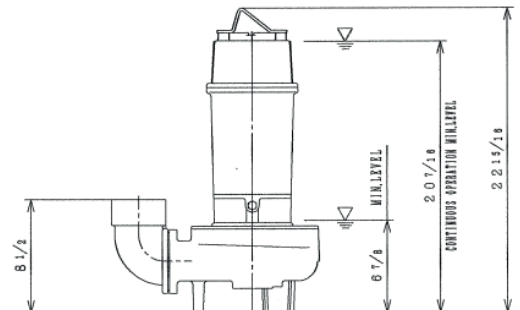
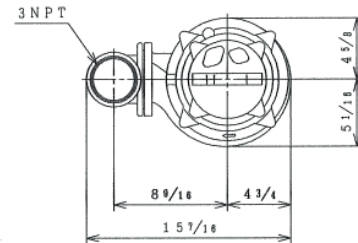
- 230 Volt, 1 Phase, 1800 RPM
- Vortex impeller
- Air-filled class E insulated heavy-duty motor
- Built-in thermal protector
- Max temperature 104F

PERFORMANCE CURVE



MODEL	HP	AMPS	WEIGHT
65CVC41.5S	2	10	104 lbs.

DIMENSIONS



SCAN FOR
MORE INFO

8510 S. Sandy Parkway, Sandy, UT 84070
877.213.3598
shinmaywasales.com